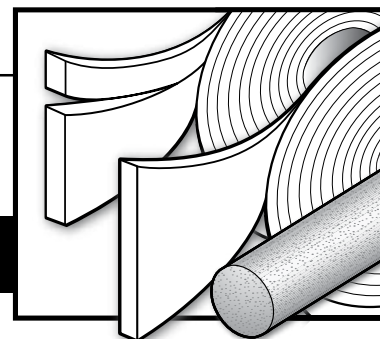


PolyFoam, Sill Seal Foam & Backer Rod (All Sizes)

SAFETY DATA SHEET:



1. PRODUCT INFORMATION

Occidental Chemical Corporation
P.O. Box 27702
Houston, Texas 77227-7702
Date Sheet Revised 3/06/2015

TELEPHONE NUMBERS
EMERGENCY 1-800-533-2246
PRODUCT 713-623-6550

2. COMPOSITION/INFORMATION

CHEMICAL NAME Ethylene homopolymer and copolymer
CAS REGISTRY NUMBER 9002-88-4 (base polymer)
Hazardous Ingredients: Encapsulated residual blowing agent - Isobutane. CAS: 75-28-5

3. HAZARDS IDENTIFICATION

SUBSTANCES PRESENT AT A CONCENTRATION OF 0.1% OR MORE CLASSIFIED AS A CARCINOGEN BY IARC, NTP OR OSHA: None
SUBSTANCES SUBJECT TO THE REPORTING REQUIREMENTS OF SECTION 313 OF THE SUPERFUND AMENDMENTS AND REAUTHORIZATION ACT OF 1986 AND 40CFR PART 372: None

4. FIRST AID MEASURES

Swallowing: N/A Skin Contact: N/A Inhalation: Remove Blockage Eye Contact: Consult Physic

5. FIRE FIGHTING MEASURES

Flash Point: Polyethylene: NA
Hydrocarbon Gas: -120°F (-84°C)
Flammable limits (LEL): Polyethylene: NA
Hydrocarbon Gas: 1.8% by volume
Flammable limits (UEL): Polyethylene: NA
Hydrocarbon Gas: 8.5% by volume*
*Encapsulated residual blowing agent present in the foam.
Extinguishing Media: Water, carbon dioxide (CO₂) and dry chemical.
Fire and Explosion Hazards: Trace amounts of residual blowing agent may be present in the foam. Mechanical and thermal processes may produce dust and flammable vapors, which may be potential explosion hazards. Tightly sealed containers may burst under fire or intense heat.
Special Fire Fighting Procedures: Firefighters should be equipped with positive pressure self-contained breathing apparatus in enclosed areas.

6. ACCIDENTAL RELEASE MEASURES

Handle as general inert material, avoid open flame, smoking and any source of ignition.

7. HANDLING AND STORAGE: Max 160oF (71oC)

Precautions to be taken in Handling, Storage and Transportation

WARNING: This polyethylene foam is made with a flammable hydrocarbon blowing agent, most of which is removed prior to shipment. However, residual flammable vapors may gradually exhaust from the foam during storage, fabrication or use. Avoid close confinement of large foam quantities and sources of ignition near the foam (ie: smoking, sparks, flames.) Do not store near heating equipment. Heating equipment should be inspected regularly during every heating season to check for pinholes or larger defects in the combustion chamber. Burns readily when exposed to plentiful and hot ignition sources. Use self-contained breathing apparatus in the event of fire.

WARNING: Fabricating operations which cut large numbers of interior foam cells can release localized amounts of flammable, residual blowing agent. Provide adequate ventilation to avoid the build up of blowing agent concentration.

WARNING: Transport large quantities of this polyethylene foam in ventilated vehicles, Exercise caution when opening vehicles containing this polyethylene foam to avoid all possible sources of ignition (lit tobacco products, sparks, etc.) near the foam and vehicle.

8. EXPOSURE CONTROLS/PERSONAL PROTECTION

Engineering Controls: Fabricating operations which cut large numbers of interior foam cells can release localized amounts of flammable, residual blowing agent. Provide adequate ventilation to avoid the build up of blowing agent concentration.

Eye Protection: Wear safety goggles if there is a potential for exposure to flying particles.

Skin Protection: Gloves when being heated

Respiratory Protection: Cloth mask if fabricating (dust)

9. PHYSICAL AND CHEMICAL PROPERTIES:

Form: Solid Plastic foam Boiling point: NA

Color: Grey Vapor Pressure: NA

Vapor Density: (Air-1): NA Bulk Density: 20-200 KG/m³ \

Molecular Weight: NA % Volatile by Volume: Nil

Melting Point: 230oF (110oC) Solubility in Water: Not Soluble

10. STABILITY AND REACTIVITY

Stability: Stable

Polymerization: Will not occur

Conditions to avoid: Avoid flame, very high temperature.

Incompatible Materials: Strong oxidants (long contact)

Hazardous Decomposition Products: None

11. TOXICOLOGICAL INFORMATION

No applicable or available data for this section

12. ECOLOGICAL INFORMATION

This product is inert to the environment and is not expected to exhibit any significant biodegradation.

13. DISPOSAL CONSIDERATIONS

Reuse, recycle, incinerate, or dispose in an approved landfill. Follow all regulatory requirements for disposal.

14. TRANSPORTATION INFORMATION

DOT: Not regulated

WARNING: Transport large quantities of this polyethylene foam in ventilated vehicles, Exercise caution when opening vehicles containing this polyethylene foam to avoid all possible sources of ignition (lit tobacco products, sparks, etc.) near the foam and vehicle. Plan the shipping so that the product would not be sitting in a trailer over extended periods of time or over the weekend even if ventilated. Product may release flammable gases therefore make certain that vents are open. When arriving at destination immediately open the door so that the trailer will be well ventilated even if waiting for unloading. No smoking or open flame.

15. REGULATORY INFORMATION

OSHA STATUS: Not Hazardous

RCRA Status: The product as supplied is not classified as a RCRA Hazardous waste.

NFPA Hazard Code: Health: 0

Flammability: 1

Reactivity: 0

16. OTHER INFORMATION

Product is sold without warranty. In no case will Superior Profiles be liable for incidental or consequential damages from this product. Buyer must make their own determination as to the suitability of the product and application.

NOTICE: The information herein is presented in good faith and believed to be accurate as of the effective date shown above. However, no warranty, express or implied, is given. Regulatory requirements are subject to change and may differ from one location to another; it is the buyer's responsibility to ensure that its activities comply with federal, state or provincial, and local laws. The following specific information is made for the purpose of complying with numerous federal, state, or provincial, and local laws and regulations.



MANUFACTURER OF
PLASTIC EXTRUSIONS