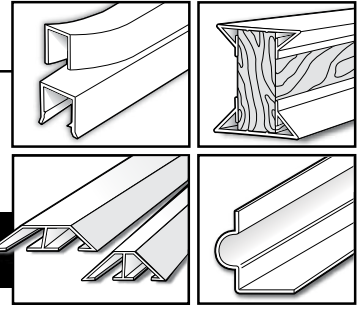




MANUFACTURER OF
PLASTIC EXTRUSIONS



Rigid PVC, All-Colors: Extruded VoidCap, Double Chamfer, Reveal & Loc Joint

SAFETY DATA SHEET:

1. CHEMICAL PRODUCT AND COMPANY IDENTIFICATION

Product: Rigid PVC - all colors Extruded Void Cap, Double Chamfers, Reveals, Loc Joints
 Part Numbers : 21A-VC-375, VC-500, VC-750, VC-1000, STix 1-10, LJ-1, LJ-1 -3/8, LJ-3/4, LJ-1-1/2
 Manufacturer: VEKA Inc. 100 Veka Drive Fombell, PA 16123 1325 Bixby Drive, Industry, CA 91745
 Telephone: Emergency Phone 724-452-1000 Revision Date: 11/23/2013 Info Phone 724-452-1000
 Product Use: Various uses as Expansion or forming products for concrete construction

2. HAZARDS IDENTIFICATION/EXPOSURE LIMITS

WHMIS (Canada) (NPPA 704) Classification:
 |Health| |0| Products are classified as non-hazardous per OSHA 1910.1200. These products are
 |Flammability| |0| defined by OSHA as an "article." A manufactured item that is formed to a specific shape or
 |Reactivity| |0| design during manufacture that does not release or result in exposure to a hazardous
 |Personal Protection| |0| chemical under normal use conditions.

3. HAZARDOUS COMPONENTS

Chemical Name:	Polyvinyl Chloride Resin (PVC)	CAS Number:	9002-86-2	Percentage By Weight	< 90
Acrylic Copolymers			N/A		< 10
Calcium Carbonate			1317-65-3		< 5
Calcium Stearate			1592-23-0		< 3
Paraffin Wax			8002-74-2		< 3

Under the reporting requirements of Section 313 of Title III of the Superfund Amendments and Reauthorization Act of 1966 (SARA) and 40 CFR Part 372, chemicals listed on the 313 list (40 CFR Part 373.65) are identified under heading "SARA 313."

4. EMERGENCY AND FIRST AID PROCEDURES

EYE CONTACT: None normally required.
 SKIN CONTACT: None normally required.
 INHALATION: None normally required.
 INGESTION: Not expected to be an exposure source.

5. FIRE AND EXPLOSIVES HAZARDS

FLASHPOINT: Not Applicable
 EXTINGUISHING MEDIA: Water spray, CO2, dry powder extinguisher.
 CHEMICAL/COMBUSTION HAZARDS: Incomplete combustion products may contain toxic components. Avoid inhalation of smoke.
 PRECAUTIONS/PERSONAL PROTECTIVE EQUIPMENT: Avoid Smoke Inhalation. Use appropriate respiratory protection.

6. ACCIDENTAL RELEASE MEASURES

SPILL OR LEAK PROCEDURES: Not applicable. Product is a solid.

7. HANDLING AND STORAGE

SAFE HANDLING PROCEDURES: No special requirements
 SAFE STORAGE: None

8. EXPOSURE CONTROLS/PERSONAL PROTECTION

ENGINEERING CONTROLS: None required under normal conditions of use.
 PERSONAL PROTECTIVE EQUIPMENT: None required under normal conditions of use.

9. PHYSICAL AND CHEMICAL PROPERTIES

BOILING POINT: N/A **VAPOR DENSITY:** N/A **% VOLATILE BY VOLUME:** N/A
EVAPORATION RATE: N/A **pH LEVEL:** N/A **% VOLATILE BY WEIGHT:** N/A
WEIGHT PER GALLON: N/A **PRODUCT APPEARANCE:** Solid plastic **VOC CONTENT:** N/A

10. STABILITY/REACTIVITY

STABILITY: Stable
HAZARDOUS POLYMERIZATION: Will not occur.
CONDITIONS AND MATERIALS TO AVOID: None recognized.
HAZARDOUS DECOMPOSITION PRODUCTS: None recognized.

11. TOXICOLOGICAL INFORMATION

EYE CONTACT: No adverse effects known with normal product use.
SKIN CONTACT: No adverse effects with normal product use.
INHALATION: Not anticipated to be an exposure route.
INGESTION: Not anticipated to be an exposure route.
SIGNS & SYMPTOMS: Symptoms of eye irritation include tearing, reddening, and swelling. Symptoms of skin irritation include redness and swelling. Gastrointestinal irritation symptoms include nausea, vomiting and abdominal discomfort.
AGGRAVATED MEDICAL CONDITIONS: None recognized.
OTHER HEALTH EFFECTS: None recognized

12. ECOLOGICAL INFORMATION

ECOTOXICITY: **DEGRADABILITY:** **BIOACCUMULATIVE POTENTIAL:** N/E
SOIL MOBILITY: **OTHER ADVERSE AFFECTS:** None Recognized

13. WASTE DISPOSAL INFORMATION

WASTE DISPOSAL INFORMATION: Product is classified as a non-hazardous waste. It can be re-processed and re-cycled in accordance with federal, state and local regulations.

14. TRANSPORTATION INFORMATION

HAZARDOUS/NON-HAZARDOUS MATERIAL: Not regulated by DOT.
UN NUMBER: None
HAZARD CLASS:
PACKING GROUP: N/A
UN PROPER SHIPPING NAME: N/A
ENVIRONMENTAL HAZARDS: None recognized.
BULK TRANSPORTATION INFORMATION:
SPECIAL PRECAUTIONS: None.

15. REGULATORY INFORMATION

OTHER REGULATORY CONSIDERATIONS: None recognized.

Preparation Date: 11/23/13

Prepared by: Len C. Maggio

The information contained in this document is based on data available to us and is believed to be correct. However, Superior Profiles makes no warranty, expressed or implied regarding the accuracy of this data or the results to be obtained from the use thereof. We assume no responsibility for injury from the use of this product described herein.



MANUFACTURER OF
PLASTIC EXTRUSIONS